

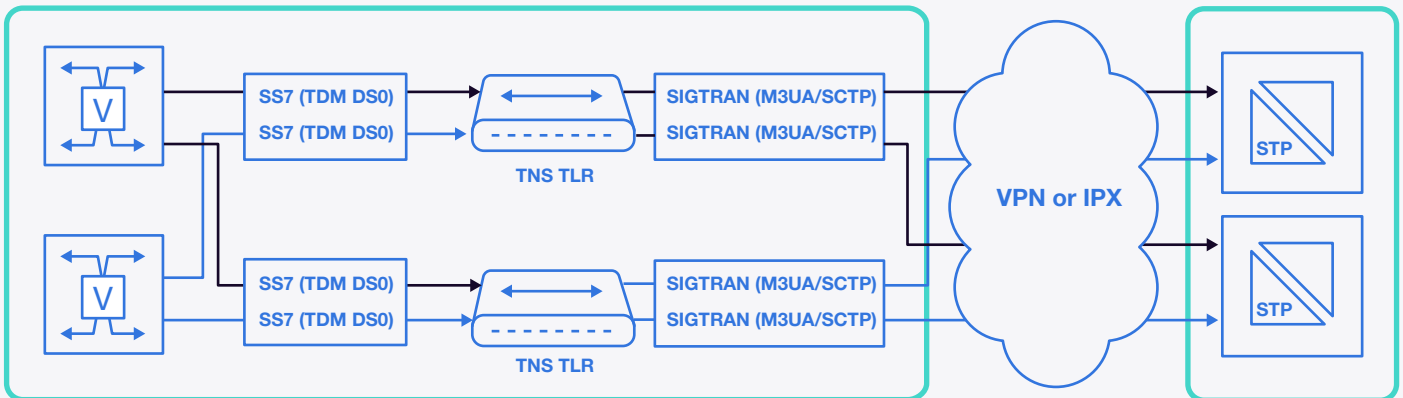


PRODUCT SHEET

TDM Link Replacement

A scalable, high performance and cost-effective managed platform

TDM Link Replacement (TLR) is a managed gateway service that is a cost-effective telecommunication platform providing core network connectivity that converts Signaling System 7 (SS7) to SIGTRAN (SS7 over IP). A fully managed service that eliminates costly time-division multiplexing (TDM) circuits and operational risks while providing full failover redundancy.



High Quality Connectivity

TNS TDM Link Replacement service simplifies global connectivity by decreasing network complexity and guaranteeing high-quality, end-to-end voice services over a single, efficient, and secure IP connection.

- **Accelerate** migration away from TDM links
- **Mitigate** on-going cost increases for TDM links
- **Conversion** of TDM to IP
- **Eliminate** operational risks with full failover redundancy
- **Affordable** OPEX-based model



Features



Conversion from SS7 to SIGTRAN



Full Failover and redundancy



Carrier-Grade device built for long-term reliability



Managed Service provided by TNS Operations team



Lifecycle Maintenance is provided with periodic systems upgrades and backups



Embedded call control with programmable call routing of access and manipulation of call parameters



Client Success Implementation Manager ensures tasks are completed within agreed timeline

Benefits



Reduced Costs - More cost-efficient network without TDM infrastructure



Simplified Network - Simplifies communication between different networks and endpoints



Managed Service - Minimizes operational risk by utilizing TNS Operation team



Expertise - Technical capabilities in signaling platforms that provides core network connectivity is handled by TNS



OPEX-Based Model - Flexible solution that scales up and down to any sized network



High Touch Customer Service and Support - World-class 24x7x365 support is included for alarms and events



High Quality Connectivity

TNS' pioneering Communications Markets business has a strong heritage which addresses the evolving needs of network operators around the globe. As the industry evolves to IoT and 5G technologies, TNS leads the development of solutions to help carriers navigate a host of infrastructure complexities.

Contact your TNS account executive to find out more about TNS telecom solutions contact your account executive:

solutions@tnsi.com

tnsi.com

USA

+1 703 453 8300

Europe

+44 (0)114 292 0200

Asia Pacific

+61 2 9959 0800